

# AEROLITE

## MANUAL



Read the manual fully before using and keep for future reference. Visit [www.moon-sport.com](http://www.moon-sport.com) for manual updates.

### FEATURES

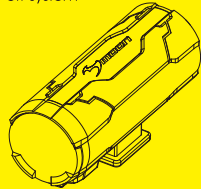
- 1 CREE XH-G, 1 pc(7 chips) Round COB high brightness red LED
- Rechargeable lithium polymer battery (3.7V 700 mAh)
- USB rechargeable
- 6 modes: H:M1 / H:M2 / H:FL1 / H:FL1 + T:FL1 / H:M2 + T:M2
- Quick release universal bracket (fits all round and AERO style bars)
- Low battery, charging and fully charged indicator
- Automatic fully charged cut-off system
- High precision optical lens
- Side visibility
- Recharge time 3hrs
- Water resistant (IPX 4)

### CONTENTS

- Aerolite
- RB-22 (Universal bracket)
- RB-23 (Helmet bracket)
- 2 O-rings for mounting:
  - RS-G for  $\phi$ 20-35mm
  - RS-H for 35-52mm
- USB-MICRO (USB cable)

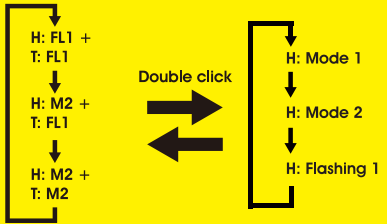
### Optional accessories:

- RB-24 (Universal bracket)
- RB-27 (GoPro mount adapter)



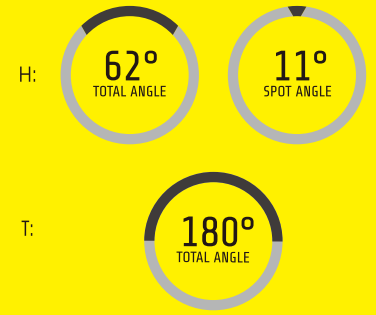
### OPERATION

1. Press power button to turn on the light,
2. Press power button to choose modes,
3. Double click power button to toggle between steady and flashing modes,
4. Press power button for 1 sec to turn off the light.



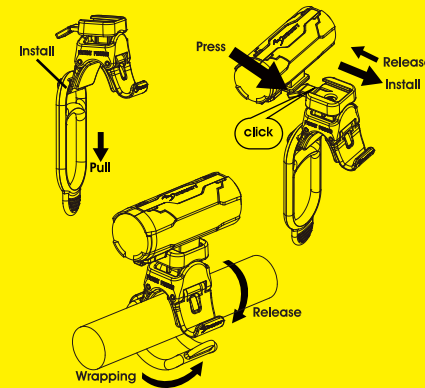
### RUNTIME

	H:M1	H:M2	H:FL1	H:FL1+T:FL1	H:M2+T:FL1	H:M2+T:M2
LUMEN	H:30	H:60	H:15	H:25+T:5	H:60+T:5	H:60+T:10
H:MIN	9:50	5:50	38:20	13:15	4:15	2:40
1M LUX	350	/	/	/	/	/
2M LUX	90	/	/	/	/	/

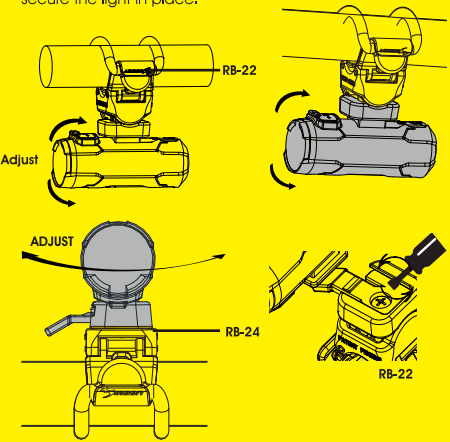


### HANDLEBAR MOUNTING

1. Choose the strap to fit in the handlebar,
2. Make sure the strap is click in place of the hook,
3. Hold the light on the handlebar,
4. Wrapping rubber strap around handlebar and stretching strap around hook to secure,
5. Slide the light forward onto bracket until it clicks into place,
6. Press down release lever to remove.



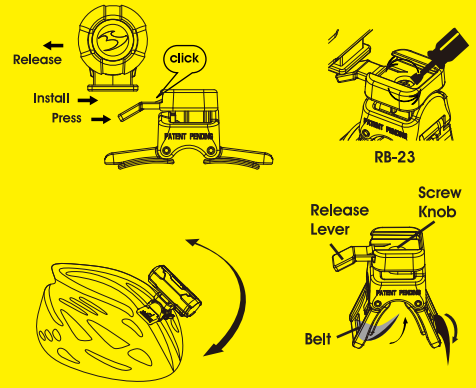
7. Adjust the vertical beam angle when mounted on the bar / helmet, loosen the screw knob and band the light up or down to your preferred angle, then tighten the screw knob to secure the light in place.



8. Adjust the horizontal beam angle when mounted on the handle bar, spin the light left to right for your preferred angle.

### HELMET MOUNTING

1. Wrap belt around helmet and return the belt onto slotted space,
2. Slide the light forward onto bracket until it clicks into place,
3. Press down release lever to remove.



To adjust the vertical beam angle when mounted on the helmet, loosen the screw knob and rotate the light up or down to your preferred angle, then tighten the screw knob to secure the light in place.

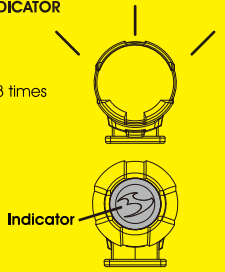
### LOW BATTERY AND CHARGING INDICATOR

#### Low battery

- \* White Led
- Even 20 seconds Fast Flashing 3 times

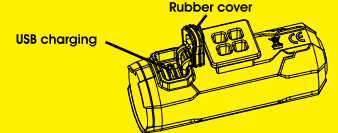
#### Charging indicator

- \* Flashing Red - charging
- \* Off - charged



### BATTERY CHARGING AND CARE

1. Turn off the light,
2. Lift the rubber cover,
3. Plug the USB cable into charging port,
4. Plug the USB cable to wall or computer USB socket,
5. Charging indicator will be on, Unplug the cable after fully charged,



### BATTERY CARE

- \* Do not charge over 5V, the battery will result in damage.
- \* Keep away from flammable objects while charging as this may lead to fire or battery explosion.
- \* Battery may get high temperatures during charging (up to 104°F/40°C). The battery capacity may become ineffective about 80% of its value after 300 charge/discharge cycles.
- \* The battery voltage and capacity decrease apparently at low temperatures, especially near or below ice point. The capacity decreases 5%-10% at freezing (burn time decreases 50%). At -20°C, the capacity decreases 30% (burn time decreases 70%). The battery performance will return normal when the temperature gets up to 70°F/20°C.
- \* Keep the battery in cool and dry place when storing. Recharge the battery fully at least every 3 months.

### WARNING

- \* Understand country lighting laws and regulations before use.
- \* Do not shine directly in the eyes.
- \* Light may get hot when in use.
- \* Adjust the angle downward to prevent from blinding the oncoming vehicles on the public roads.
- \* Do not submerge the battery or the whole light into water.
- \* Unplug the light, charger and cable once the battery is fully charged.
- \* Do not dismantle the light which will void warranty.
- \* Do not leave the light on and unattended.
- \* Keep the light away from fire and combustible materials.
- \* Do not store head unit when hot or straightway after use.

### WARRANTY

MOON Lights are covered by a ONE YEAR LIMITED WARRANTY from the date of purchase is free from defects in material and workmanship. This warranty does not apply to damage due to heat, physical damage resulting from abuse, neglect, improper repair, improper fit, or alterations of the fixture. This covers the lights and cables only. Batteries are covered by 120 days warranty not including battery normal wear.

All customers should contact the local dealer or regional distributor for warranty service. To make a claim, first contact original dealer or distributor. Some issues may be resolved upon the initial call. If return of the product is necessary, use traceable method such as FedEx or UPS. MOON is not responsible for lost or misdirected packages.

Please include your full contact information (name, address, phone number, and email [if applicable]), and a description of the issue.

For more information please contact us at [cs@moon-sport.com](mailto:cs@moon-sport.com)

ONLINE WARRANTY REGISTRATION  
Visit [www.moon-sport.com](http://www.moon-sport.com) for online warranty registration.