

COMET-X PRO

MANUAL



Read this manual fully before using and keep for future reference, visit www.moon-sport.com for manual updates.

FEATURES

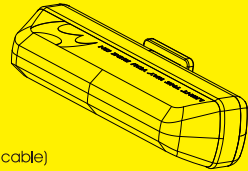
- 1 (30 chips) COB high brightness red LED
- CNC Aluminium heat sink casing
- Mode memory function
- Auto safe mode
- 3 steady modes, 4 flashing modes
- Rechargeable lithium polymer battery (3.7V 500 mAh)
- Quick release universal bracket (fits all round and AERO style bars)
- Low battery, charging and fully charged indicator
- Automatic fully charged cut-off system
- Side visibility
- Recharge time 2hrs
- Water resistant (IPX 4)

CONTENTS

- COMET-X PRO
 RB-22 (Universal bracket)
 2 O-rings for mounting:
 RS-G for $\phi 20-35\text{mm}$
 RS-H for $\phi 35-52\text{mm}$
 BK-21 (Belt clip)
 RB-21 (Saddle rail bracket)
 USB-WP (Water resistant USB cable)

Optional accessories:

- RB-19 (Rear rack mount bracket)
 RB-23 (Helmet bracket)
 RB-27 (GoPro mount adapter)
 XP-USC (Wall charger)
 USB-RM-1200 (USB remote control 1200 mm)



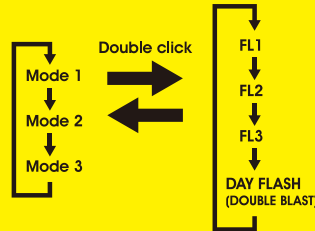
OPERATION

1. Press power button to turn on the light,
2. Press power button to choose modes,
3. Double click power button to toggle between steady and flashing modes,
4. Press power button for 1 sec to turn off the light.



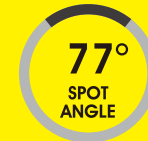
* With Mode Memory Function: the light resumes previous mode upon next usage.

* Remote switch operation is same as above.



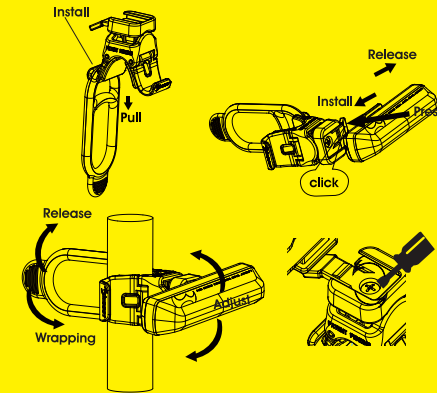
RUNTIME

	Mode1	Mode2	Mode3	FL1	FL2	FL3	DAY FL
LUMEN	15	25	40	20	40	40	80
H:MIN	5:30	2:10	1:30	15:20	7:30	9:40	19:00
1M LUX	5	9.2	14.7	/	/	/	/
2M LUX	1.6	2.8	4.5	/	/	/	/



SEATPOST MOUNTING

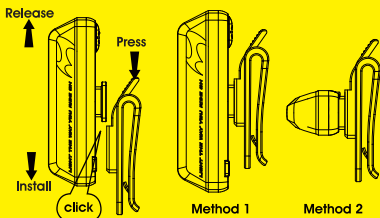
1. Choose the strap to fit in the seatpost.
2. Make sure the strap is click in place of the hook.
3. Hold the light on the seatpost.
4. Wrapping rubber strap around seatpost and stretching strap around hook to secure.
5. Slide the light forward onto bracket until it clicks into place.
6. Press down release lever to remove.



7. Adjust the horizontal/vertical beam angle when mounted on the handle bar/seatpost, loosen the screw knob and spin the light left to right / band the light up or down for your preferred angle, then tighten the screw knob to secure the light in place.

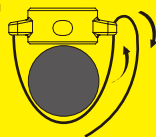
BELT CLIP MOUNTING

1. Slide light forward onto belt clip until it clicks into place.
2. Press down release lever to remove.



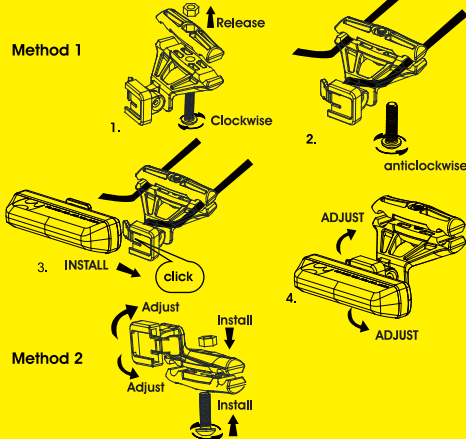
REMOTE SWITCH INSTALLATION (Optional)

1. Connect the remote switch by using the usb port,
2. Put one end of the belt go through the cycle handlebar.
3. Align to the controller button and pass through.
4. Please pull the Velcro ends tightly.



SADDLE RAIL MOUNTING

1. Loosen the screws in the saddle bracket with the Allen key,
2. Clamp the bracket onto the saddle rail,
3. Align the screw holes, using the Allen key to tighten the bracket,
4. Slide light forward onto bracket until it clicks into place.
5. Press down release lever to remove,
6. Twist the light body to adjust the vertical angle.



LOW BATTERY AND CHARGING INDICATOR

- Low battery
- ⚡ * Steady Blue
- Auto safe
- ⚡ * Flashing Blue
- Charging indicator
- ⚡ * Flashing Blue - charging
 - ⚡ * Steady Blue - charged

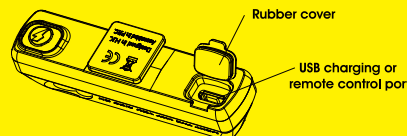


AUTO SAFE MODE

To preserve battery when power is low, the light will enter safe mode with less light output for extra 1 hour. Safe mode cannot be override, Recharge battery for maximum performance.

BATTERY CHARGING AND CARE

1. Turn off the light.
2. Lift the rubber cover.
3. Plug the USB cable into charging port.
4. Plug the USB cable to wall or computer USB socket.
5. Charging indicator will be on. Unplug the cable after fully charged.



BATTERY CARE

- * Do not charge over 5V, the battery will result in damage.
- * Keep away from flammable objects while charging as this may lead to fire or battery explosion.
- * Battery may get high temperatures during charging (up to 104°F/40°C). The battery capacity may become ineffective about 80% of its value after 300 charge/discharge cycles.
- * The battery voltage and capacity decrease apparently at low temperatures, especially near or below ice point. The capacity decreases 5%-10% at freezing (burn time decreases 50%). At -20°C, the capacity decreases 30% (burn time decreases 70%). The battery performance will return normal when the temperature gets up to 70°F/20°C.
- * Keep the battery in cool and dry place when storing. Recharge the battery fully at least every 3 months.

WARNING

- * Understand country lighting laws and regulations before use.
- * Do not shine directly in the eyes.
- * Light may get hot when in use.
- * Adjust the angle downward to prevent from blinding the oncoming vehicles on the public roads.
- * Do not submerge the battery or the whole light into water.
- * Unplug the light, charger and cable once the battery is fully charged.
- * Do not dismantle the light which will void warranty.
- * Do not leave the light on and unattended.
- * Keep the light away from fire and combustible materials.
- * Do not store head unit when hot or straightway after use.

WARRANTY

MOON Lights are covered by a ONE YEAR LIMITED WARRANTY from the date of purchase is free from defects in material and workmanship. This warranty does not apply to damage due to heat, physical damage resulting from abuse, neglect, improper repair, improper fit, or alterations of the fixture. This covers the lights and cables only. Batteries are covered by 120 days warranty not including battery normal wear.

All customers should contact the local dealer or regional distributor for warranty service. To make a claim, first contact original dealer or distributor. Some issues may be resolved upon the initial call. If return of the product is necessary, use traceable method such as FedEx or UPS. MOON is not responsible for lost or misdirected packages.

Please include your full contact information (name, address, phone number, and email [if applicable]), and a description of the issue.

For more information please contact us at cs@moon-sport.com