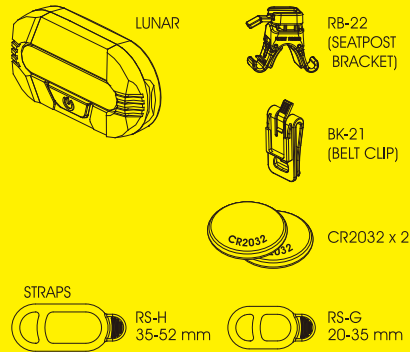


# LUNAR

## MANUAL

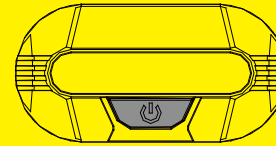
Read this manual before using and keep for future reference. Visit [www.moon-sport.com](http://www.moon-sport.com) for manual updates.

### CONTENTS



**Optional accessories:**  
 RB-19 (REAR RACK MOUNT)  
 RB-21 (SADDLE RAIL BRACKET)  
 RB-23 (HELMET MOUNT)  
 RB-27 (GOPRO MOUNT ADAPTER)

### OPERATION



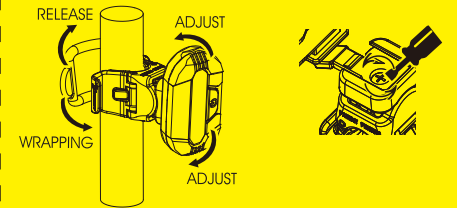
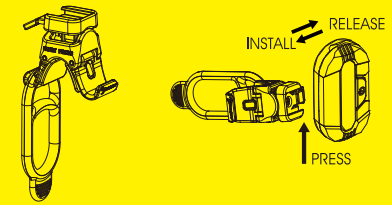
ON / OFF : Press 1s  
 MODE SELECT : Click  
 STEADY / FLASH : Double Click

### RUNTIME

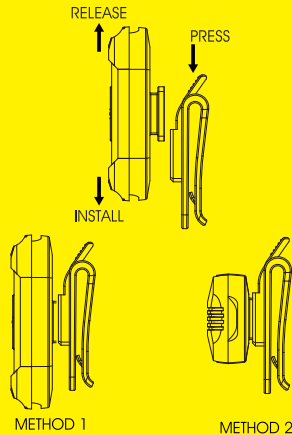
|       | MODE 1 | MODE 2 | FLASH 1 | FLASH 2 | FLASH 3 |
|-------|--------|--------|---------|---------|---------|
| LUMEN | 8      | 15     | 8       | 15      | 15      |
| H:MIN | 70:00  | 67:00  | 75:00   | 71:00   | 67:00   |

### MOUNTING

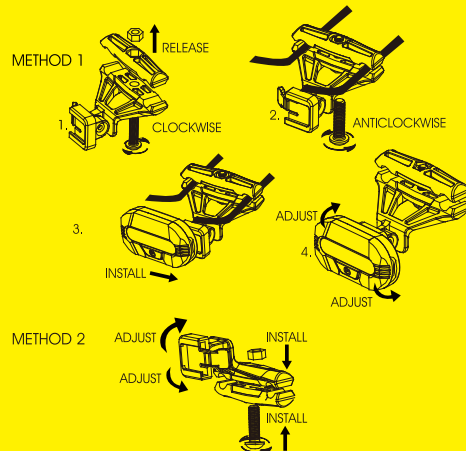
SEATPOST MOUNTING



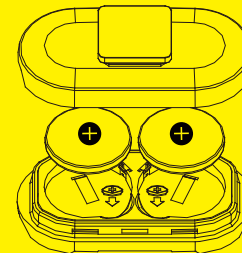
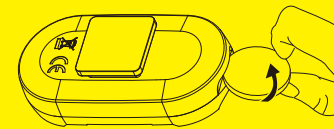
BELT CLIP MOUNTING



SADDLE RAIL MOUNTING (OPTIONAL)



### BATTERY INSTALLATION



### WARNING

Understand country lighting laws and regulations before use.  
 Do not shine light directly into eyes.  
 Do not mount near wireless computer.  
 Do not blind the oncoming vehicles. Always adjust the angle downward.  
 Do not submerge the light into water.  
 Keep light in cool and dry place when storing.  
 Fully recharge the light at least every 3 months during storage.

### WARRANTY

MOON lights are covered by a ONE YEAR LIMITED WARRANTY while MOON batteries are covered by 120 days warranty from the date of purchase. This warranty covers the defects in material and workmanship only with proof of purchase. Please contact original dealer for warranty service. For lights bought on MOON website, please contact [cs@moon-sport.com](mailto:cs@moon-sport.com) for help.

ONLINE WARRANTY REGISTRATION  
 Visit [www.moon-sport.com](http://www.moon-sport.com) for online warranty registration.