

# NOVA

## MANUAL



Read this manual carefully before using and keep for future reference. Visit [www.moon-sport.com](http://www.moon-sport.com) for manual updates.

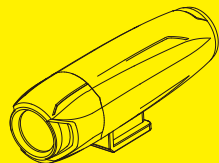
### FEATURES

- 1 CREE XH-G high brightness LED
- AA alkaline battery
- Water resistant (IPX 4)
- 3 steady modes, 2 flashing modes
- Quick release handlebar mount (fits 22-31,8mm)
- High precision optical lens
- Side visibility

### CONTENTS

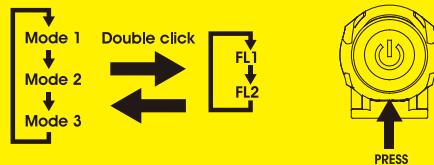
NOVA  
AA alkaline battery  
RB-07 (Handlebar bracket)

**Optional accessories:**  
RB-06 (Helmet bracket)



### OPERATION

1. Press power button to turn on the light.
2. Press power button to choose modes.
3. Double click power button to toggle between steady and flashing modes.
4. Press power button for 1 sec to turn off the light.



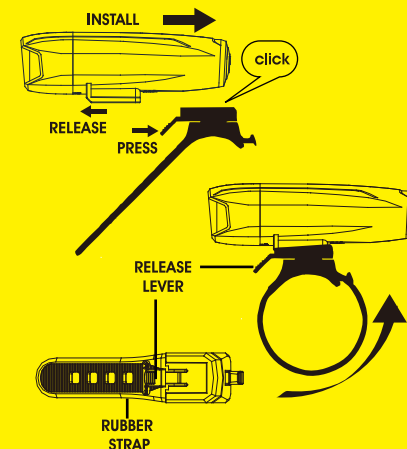
### RUNTIME

	Mode1	Mode2	Mode3	FL1	FL2
LUMEN	20	40	80	40	40
H:MIN	7:25	3:10	1:50	7:55	7:35
1M LUX	158	302	610	/	/
2M LUX	40	78	152	/	/
10M LUX	1.5	3	6	/	/



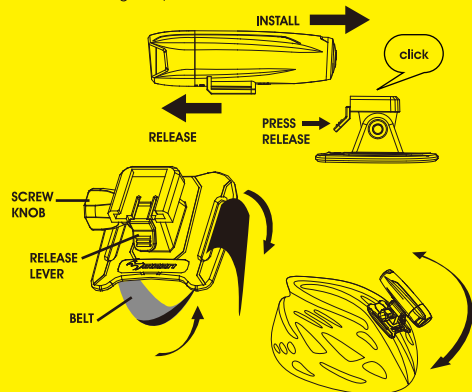
### HANDLEBAR MOUNTING

1. Install the bracket onto handlebar by wrapping rubber strap around post/bar and stretching strap around hook to secure.
2. Slide headlight forward onto bracket until it clicks into place.
3. Press down release lever to remove.



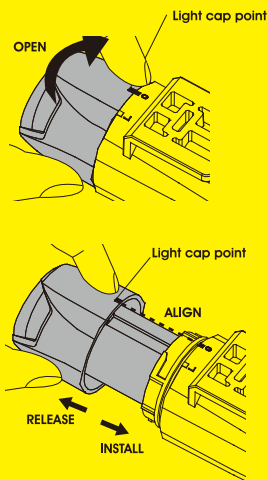
### HELMET MOUNTING (Optional)

1. Wrap belt around helmet and return the belt onto slotted space.
2. Twist screw knob clockwise until tight.
3. Slide headlight forward onto bracket until it clicks into place.
4. Press down release lever to remove.
5. To adjust the vertical beam angle when mounted on the helmet, loosen the screw knob and rotate the light up or down to your preferred angle, then tighten the screw knob to secure the light in place.



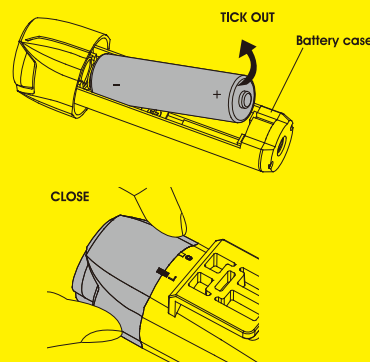
### BATTERY INSTALLATION

1. Twist the light cap to remove the battery case.
2. Tick out and remove the battery for replacement.
3. Install new battery.



4. Align the "point O" to the light cap point. Install the battery case into the light body.
5. Turn the light cap clockwise until the "point L" align the light cap point.

**⚠ Unplug the battery if no use.**



### ⚠ Warning

- \* Understand country lighting laws and regulations before use.
- \* Do not shine directly in the eyes.
- \* Light may get hot when in use.
- \* Adjust the angle downward to prevent from blinding the oncoming vehicles on the public roads.
- \* Do not submerge the battery or the whole light into water.
- \* Unplug the light once the battery is fully charged.
- \* Do not dismantle the light which will void warranty.
- \* Do not leave the light on and unattended.
- \* Keep the light away from fire and combustible materials.
- \* Do not store head unit when hot or straightway after use.
- \* Release the battery before storage to prevent light turning on.

### Warranty

MOON Lights are covered by a ONE YEAR LIMITED WARRANTY from the date of purchase is free from defects in material and workmanship. This warranty does not apply to damage due to heat, physical damage resulting from abuse, neglect, improper repair, improper fit, or alterations of the fixture. This covers the lights and cables only. Batteries are covered by 120 days warranty not including battery normal wear.

All customers should contact the local dealer or regional distributor for warranty service. To make a claim, first contact original dealer or distributor. Some issues may be resolved upon the initial call. If return of the product is necessary, use traceable method such as FedEx or UPS, MOON is not responsible for lost or misdirected packages.

Please include your full contact information (name, address, phone number, and email [if applicable]) and a description of the issue.

For more information please contact us at [cs@moon-sport.com](mailto:cs@moon-sport.com)