

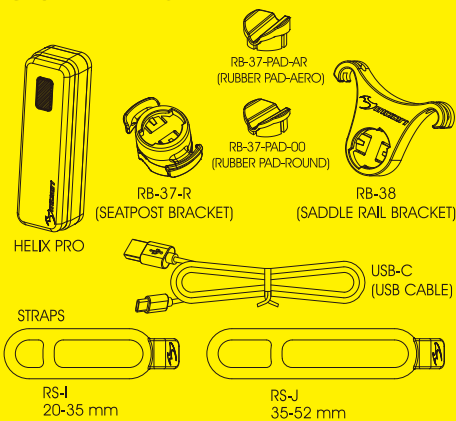


The light is locked for shipment, refer to OPERATION instruction to unlock. Read this manual carefully before using and keep for future reference. Visit www.moon-sport.com for manual updates.



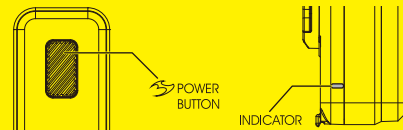
HELIX PRO MANUAL

CONTENTS



Optional accessories:
RB-39 (BELT CLIP)

OPERATION



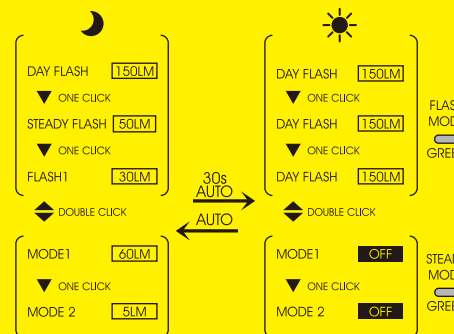
- ON / OFF : Press 1s
- MODE SELECT : Click
- STEADY / FLASH : Double Click
- INTELLIGENT : 1. Power off
2. Press 3s: NORMAL BLUE FLASH 1 TIME
INTELLIGENT GREEN FLASH 1 TIME
- LOCK/UNLOCK : 1. Power off
2. Press 6s: Locked BLUE FLASH 2 TIMES
Unlocked BLUE FLASH 2 TIMES

* Lock system: Lock the light to prevent accidentally turned on.
* Mode memory: The light resumes previous mode upon next usage.

INTELLIGENT OPERATION



INTELLIGENT BRIGHTNESS FUNCTION
Automatically turns to Day Flash Mode/ Stand By Mode during daytime, and turns to selected mode at night or in dark area.



INTELLIGENT MOTION SENSING FUNCTION

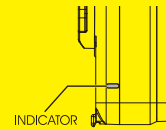
Parking
Automatically turns to standby mode when no action is detected.



*At day time ,Mode 1/2 indicator will change to steady in the standby mode, (the lumen will not go down to 5 lm)

* When light is in Auto Safe Mode, all intelligent functions will be deactivated.
* Max standby time: 100hrs

VARIABLE LUMEN SYSTEM



- Select desired mode,
- Press and hold to set lumen.
- Release when reaching desired lumen.

* Light flashes twice when reaching the MAX or MIN lumen level.

* Restore default mode: 1. Power off
2. Press 10s: BLUE FLASH 3 TIMES

AUTO SAFE MODE



Quick Flash

To preserve battery when power is low, the light will enter safe mode with less light output for extra 45mins. Safe mode cannot be override. Recharge battery for maximum performance.

RUNTIME



ANSI FL1	DAY FLASH	STEADY FLASH	FLASH1	MODE1	MODE2
	150	5 + 50	30	60	5
H-MIN	20:00	15:00	20:00	2:00	22:00
VLS LUMEN	150-10	150-10	150-10	60-5	60-5
H-MIN	20:00-80:00	9:00-20:00	5:00-60:00	2:00-22:00	2:00-22:00

DEPENDS ON MODE LUMENS

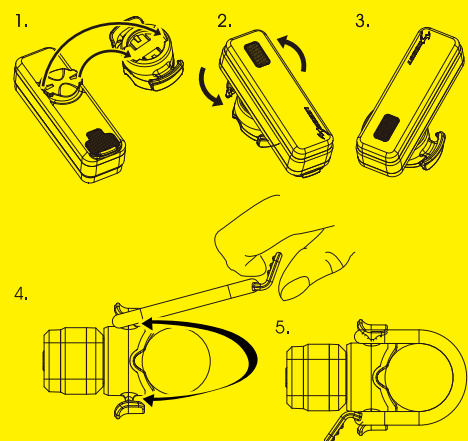
DEFAULT / NORMAL



ANSI FL1	DAY FLASH	STEADY FLASH	FLASH1	MODE1	MODE2
	150 DAYFLASH	150 DAYFLASH	150 DAYFLASH	OFF	OFF
H-MIN	20:00	20:00	20:00	100:00 STANDBY TIME	100:00 STANDBY TIME

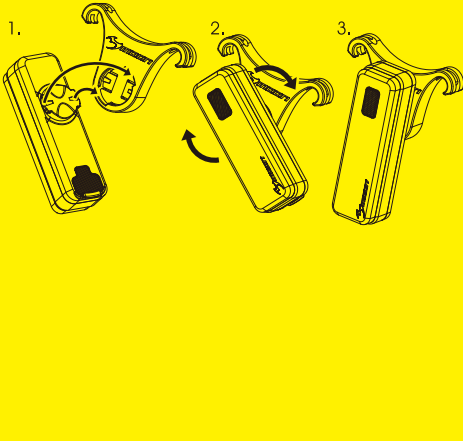
MOUNTING

SEATPOST MOUNTING



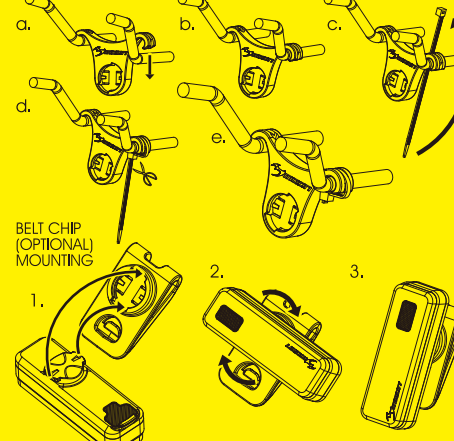
MOUNTING

SADDLE RAIL MOUNTING

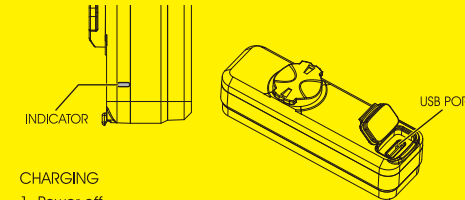


MOUNTING

INSTALLION:



CHARGING



CHARGING

1. Power off
2. Plug USB-C cable to USB-C port
3. Unplug after fully charged

* Do not charge over 5V.
* Keep away from flammable objects while charging.

INDICATOR

- Low battery (Slow Flash)
- Auto safe (Quick Flash)
- Charging
- Fully Charged * 2:30 hrs

WARNING

Understand country lighting laws and regulations before use.
Do not shine light directly into eyes.
Do not mount near wireless computer.
Do not blind the oncoming vehicles. Always adjust the angle downward.
Do not submerge the light into water.
Keep light in cool and dry place when storing.
Fully recharge the light at least every 3 months during storage.

WARRANTY

MOON lights are covered by a ONE YEAR LIMITED WARRANTY while MOON batteries are covered by 120 days warranty from the date of purchase. This warranty covers the defects in material and workmanship only with proof of purchase. Please contact original dealer for warranty service. For lights bought on MOON website, please contact cs@moon-sport.com for help.

ONLINE WARRANTY REGISTRATION

Visit www.moon-sport.com for online warranty registration.