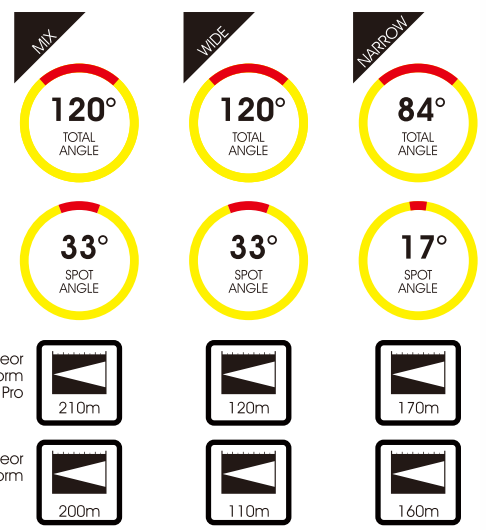


METEOR STORM PRO/ METEOR STORM



Meteor Storm Pro/
Meteor Storm w/
RB-26



LX-BAT-3350/2600 w/
MX-BC



RB-16



USB-C



USB-C-RMS

Optional



XP-USC

METEOR STORM PRO

SPECIFICATION

- * 8 Modes: Boost / Mode 1 / Mode 2 / Mode 3 / Flash 1 / Steady Flash / Day Flash / SOS
- * Dual Beam Angle
- * USB TYPE-C Cable
- * USB TYPE-C Remote Control
- * Variable Lumen System VLS
- * Matrix LED display
- * Lock System
- * Boost Mode
- * Light Mode Memory
- * CNC Aluminum Heat Sink Casing
- * Quick Release Battery
- * Water Resistant (IPX5)
- * Day Flash Mode
- * FL-1 Standard

CONTENTS INCLUDED

- * Meteor Storm Pro
- * RB-26 (Handlebar Bracket)
- * RB-16 (Helmet Bracket)
- * USB-C (USB TYPE-C Cable)
- * USB-C-RMS (USB TYPE-C Water Resistant Remote Control)
- * 2pcs LX-BAT-3350 batteries

Optional accessories
* XP-USC (Wall charger)

METEOR STORM

SPECIFICATION

- * 8 Modes: Boost / Mode 1 / Mode 2 / Mode 3 / Flash 1 / Steady Flash / Day Flash / SOS
- * Dual Beam Angle
- * USB TYPE-C Cable
- * USB TYPE-C Remote Control
- * Variable Lumen System VLS
- * Matrix LED display
- * Lock System
- * Boost Mode
- * Light Mode Memory
- * CNC Aluminum Heat Sink Casing
- * Quick Release Battery
- * Water Resistant (IPX5)
- * Day Flash Mode
- * FL-1 Standard

CONTENTS INCLUDED

- * Meteor Storm
- * RB-26 (Handlebar Bracket)
- * RB-16 (Helmet Bracket)
- * USB-C (USB TYPE-C Cable)
- * USB-C-RMS (USB TYPE-C Water Resistant Remote Control)
- * 2pcs LX-BAT-2600 batteries

Optional accessories
* XP-USC (Wall charger)

Quick Start

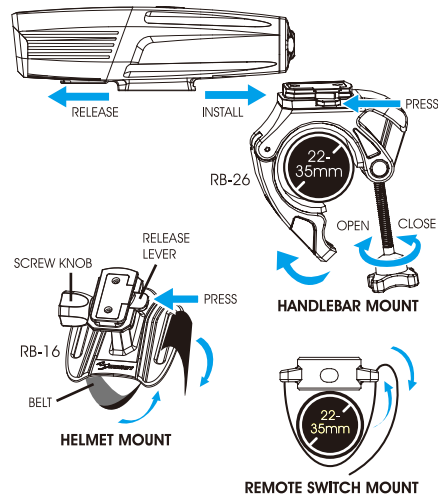
LIGHT OPERATION



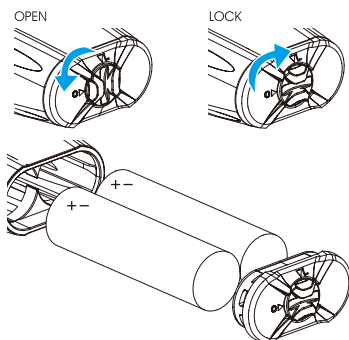
- ON / OFF : Press 1s
- MODE SELECT : Click
- STEADY / FLASH : Press and hold 3S
- BOOST MODE : Double click
- LOCK/UNLOCK : 1. Power off
2. Press 8s: Locked
Unlocked

- * Lock system: Lock the light to prevent accidentally turned on.
- * Mode memory: The light resumes previous mode upon next usage.

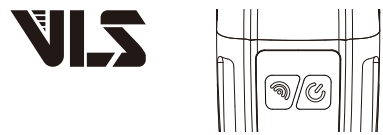
LIGHT INSTALLATION



BATTERY INSTALLATION



VARIABLE LUMEN SYSTEM



1. Select desired mode.
2. Press and hold to set lumen.
3. Release when reaching desired lumen.

- * Light flashes once when reaching the MAX or MIN lumen level. CHANGING MAX or MIN
- * Restore default mode: Press +
- * Mode memory: The light resumes previous VLS setting upon next usage.

MATRIX LED DISPLAY

SELECTING MODE

FLASHING	FLASH 1
STEADY	MODE 1
MODE 2	DAY FLASH
MODE 3	SOS
BOOST MODE	

BATTERY STATUS (DEFAULT DISPLAY)

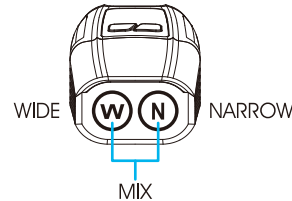
100%	80%	60%
40%	20%	0-10%

CHARGING

DUAL ANGLE BEAM

Dual angle beam is designed for user to select wide or narrow angle beam for different road section.

BEAM ANGLE SELECT: Click



METEOR STORM PRO

	WIDE	MIX	NARROW					
ANSI FL1	2000	1750	1100	120	100	200	400	-
BOOST LUMEN	2:00	2:30	4:30	43:00	200:00	98:00	260:00	100:00
H-MIN	2:30	2:30	2:30	110:00	16:00	25:00	110:00	1000:00
VLS LUMEN	-	1750-50	1750-50	1750-50	1750-50	1750-50	-	-
H-MIN	-	2:30-110:00	2:30-110:00	2:30-110:00	16:00-300:00	25:00-100:00	110:00-1000:00	-

METEOR STORM

	WIDE	MIX	NARROW					
ANSI FL1	1000	700	500	50	50	100	200	-
BOOST LUMEN	4:30	6:15	10:15	75:00	300:00	168:00	430:00	210:00
H-MIN	6:15-160:00	6:15-160:00	6:15-160:00	34:00-1000:00	50:00-180:00	150:00-1500:00	-	-
VLS LUMEN	-	700-20	700-20	700-20	700-20	700-20	-	-
H-MIN	-	6:15-160:00	6:15-160:00	6:15-160:00	34:00-1000:00	50:00-180:00	150:00-1500:00	-

METEOR STORM

	WIDE	MIX	NARROW					
ANSI FL1	1700	1400	900	120	100	200	400	-
BOOST LUMEN	2:00	2:30	4:00	31:00	115:00	70:00	230:00	85:00
H-MIN	2:30-85:00	2:30-85:00	2:30-85:00	16:00-310:00	21:00-105:00	100:00-950:00	-	-
VLS LUMEN	-	1400-50	1400-50	1400-50	1400-50	1400-50	-	-
H-MIN	-	2:30-85:00	2:30-85:00	2:30-85:00	16:00-310:00	21:00-105:00	100:00-950:00	-

METEOR STORM

	WIDE	MIX	NARROW					
ANSI FL1	900	600	300	60	50	100	200	-
BOOST LUMEN	3:00	5:00	11:00	57:00	260:00	120:00	400:00	160:00
H-MIN	5:00-130:00	5:00-130:00	5:00-130:00	28:30-800:00	41:00-140:00	130:00-1200:00	-	-
VLS LUMEN	-	600-20	600-20	600-20	600-20	600-20	-	-
H-MIN	-	5:00-130:00	5:00-130:00	5:00-130:00	28:30-800:00	41:00-140:00	130:00-1200:00	-

USER GUIDELINE

Thank you for choosing MOON Meteor Storm series headlight!

- * The light is locked for shipment, refer to OPERATION instruction to unlock.
- * Please read this manual before using. Please refer to online manual for any update of information.
- * The light is not fully charged for shipment, please make sure to charge the light fully before use.**

BOOST MODE

By double clicking the power button, it instantly activates the highest output. Press power button to turn off boost mode and switch to the following steady or flash mode.

DAY FLASH MODE

Day Flash Mode is the high output mode for daytime riding. Its high visibility alternative flashing enhances every rides by both seeing the road and being seen by others clearly.

COOLING SYSTEM

The high brightness LED will heat up the light body while working, that is a high temperate light. A better cooling system can increase the running time, also increase 15%-30% brightness of the LED performance. To reduce the heat generated by the running LEDs, METEOR Storm Pro & Meteor Storm are designed with aluminum heat sink alloy body. The light side adopts novel shape design with high heat dissipation efficiency. It sufficiently disperse the heat away through the light.

HANDLEBAR BRACKET

- 1/ Insert the handlebar bracket into the bottom slot of the light.
- 2/ Spin the below part of the bracket counter-clockwise to loosen the screw.
- 3/ Unlock the bracket and put the light in suitable place of your handle bar.
- 4/ Twist the screw clockwise to lock the bracket
- 5/ The bracket fits 22-32mm handle bar. Additional shims are included and you can use them when necessary.

HELMET BRACKET

- 1/ Remove the belt from one side of the helmet mount.
- 2/ Place the helmet mount into the suitable location on helmet.
- 3/ Wrap belt around helmet and attach the end of the belt to itself tightly.
- 4/ Insert the headlight into the helmet mount until it clicks into place.
- 5/ Press down release lever to remove.

To adjust the vertical beam angle when mounted on the helmet, loosen the screw knob and rotate the light up or down to your desired angle, then tighten the screw knob to hold the light in place.

BEAM ADJUSTMENT

To adjust the horizontal beam, spin the headlight left to right for your best side to side beam angle. To adjust the vertical beam angle, loosen the mounting and rotate the light up and down to your best vertical beam angle, then tighten the mounting.



The beam is widely dispersed, besides its high brightness. To prevent from blinding the oncoming vehicles on the public roads, you'd better adjust the angle downward.

CLEAN AND CARE

- 1/ METEOR Storm Pro & METEOR Storm are designed to be used on bikes in some of the most extreme outdoor conditions. Ensure light is cleaned with a damp cloth after every ride.
- 2/ The Cree XM-L high-brightness LEDs have extensive life so bulb replacement is not required.
- 3/ Water resistant is for rain water only. Do not submerge the battery or the whole light into water when cleaning.

TROUBLESHOOTING

The headlight cannot be turned on.

- * Make sure the power button was firmly pressed.
- * Make sure battery is installed correctly.
- * Make sure the battery is fully charged.

WARNING

- * Understand country lighting laws and regulations before use.
- * Do not shine light directly into eyes.
- * Do not mount near wireless computer.
- * Do not blind the oncoming vehicles. Always adjust the angle downward.
- * Do not submerge the light into water.
- * Keep light in cool and dry place when storing.
- * Fully recharge the light at least every 3 months during storage.

WARRANTY

MOON lights are covered by a ONE YEAR LIMITED WARRANTY while MOON batteries are covered by 120 days warranty from the date of purchase. This warranty covers the defects in material and workmanship only with proof of purchase. Please contact original dealer for warranty service. For lights bought on MOON website, please contact cs@moon-sport.com for help.

ONLINE WARRANTY REGISTRATION

Visit www.moon-sport.com for online warranty registration.

MATRIX DISPLAY

Matrix LED Display is a multifunctional display provides operational information including modes, battery status and charging status.

MODE MEMORY

When turning on the light, will be in the mode as the last usage.

OVERHEAT PROTECTION

The overheat protection device can ensure the bicycle light in a good running temperature condition, so that to protect

the LEDs without burning case. If the light is in high temperature during operation, it will dim the light output.

CHARGING

- 1/ Find the USB port under the head part of the light.
- 2/ Lift the rubber cover and you'll see the charging port.
- 3/ If using USB cable, connect it to your computer USB port.
- 4/ If using wall charger, connect it to the wall outlet. (100 to 240 volts)
- 5/ Charge time may depend on computer or wall charger.
- 6/ When the battery is fully charged, please unplug the USB cable or wall charger. Then replace the rubber cover.
- 7/ Do not charge over 5V.
- 8/ Keep away from flammable objects while charging.

BATTERY INSTALLATION

- 1/ Align the battery cover to the point "O" to open.
- 2/ Release or insert batteries.
- 3/ Cover the batteries with the battery cover.
- 4/ Align the battery cover to the point "L" to lock.

* Matrix LED display showing batteries installed correctly.

- * Light can be run with one battery as backup. Please install battery into the right battery housing only, Runtime is vary from the standard one.
- * Do not charge over 5V.
- * Keep away from flammable objects while charging.

REMOTE CONTROL

Install remote control

- 1/ Find the USB port under the head part of the lights.
- 2/ Lift the rubber cover.
- 3/ Plug in the remote control USB cable.
- 4/ Make sure it has been completely plugged in.

Remote switch mounting

- 1/ Put one end of the belt go through the cycle handle bar or helmet hole.
- 2/ Align to the controller button and pass through.
- 3/ Please pull the Velcro ends tightly.