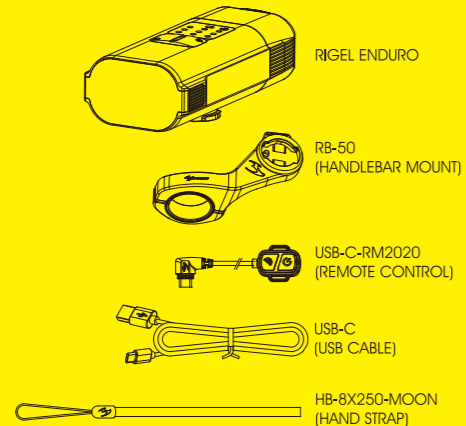




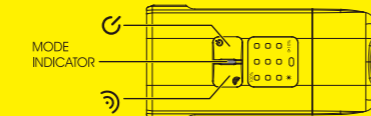
The light is locked for shipment, refer to OPERATION instruction to unlock. Read this manual carefully before using and keep for future reference. Visit www.moon-sport.com for manual updates.

CONTENTS



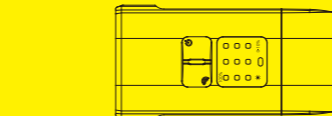
RIGEL ENDURO MANUAL

OPERATION



- ON / OFF : Press 1s
 - MODE SELECT : Click
 - STEADY / FLASH : Double Click
 - BOOST MODE : Double Click
 - INTELLIGENT : 1. Power off
2. Press 3s: NORMAL BLUE FLASH 1 TIME
INTELLIGENT GREEN FLASH 1 TIME
3. Press 6s: Locked BLUE FLASH 2 TIMES
Unlocked BLUE FLASH 2 TIMES
- * Lock system: Lock the light to prevent accidentally turned on.
* Mode memory: The light resumes previous mode upon next usage.

MATRIX DISPLAY



Modes

Boost Mode 1 Mode 2 Mode 3

Flash 1 STEADY Day flash S.O.S.

BATTERY

100% 80% 60% 40% 20% 0-10%

CHARGING

Fully Charged *2A 4:00 1A 6:30

INTELLIGENT OPERATION

INTELLIGENT BRIGHTNESS FUNCTION
Automatically turns to Stand By Mode (OFF) during daytime, and turns to selected mode at night or in dark area.

FLASH MODE

FLASH1 100LM
STEADY FLASH 400LM
DAY FLASH 400LM
SOS 80LM

FLASH MODE GREEN

STAND BY MODE

STAND BY (20S) 1% LM
STAND BY (60S) OFF
PARKING (1 hr) TOTAL OFF

*At day time, the indicator will change to steady in the stand by modes. (The lumen will not go down to 1% LM)
* Max standby time: 900hrs

MODE MEMORY

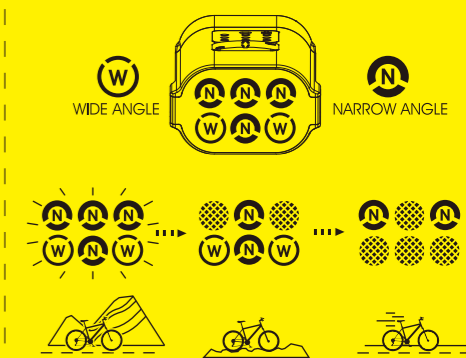
MODE1 2100LM
MODE2 1000LM
MODE3 550LM

MODE1 OFF
MODE2 OFF
MODE3 OFF

STEADY MODE GREEN

DUAL ANGLE BEAM

Dual Angle beam is designed for user to select wide or narrow angle beam for different road section.
BEAM ANGLE SELECT: Click



VARIABLE LUMEN SYSTEM



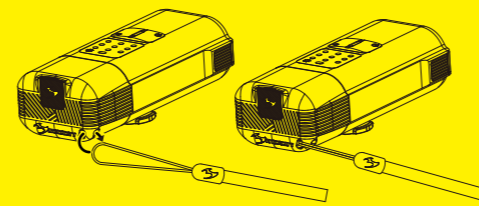
- Select desired mode.
 - Press and hold to set lumen.
 - Release when reaching desired lumen.
- * Light flashes twice when reaching the MAX or MIN lumen level.
- * Restore default mode: 1. Power off
2. Press 10s:



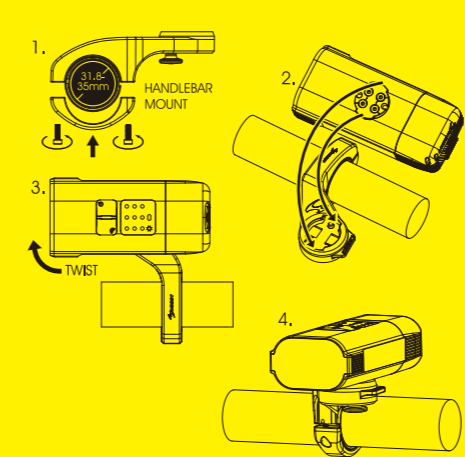
RUNTIME

	NIGHTTIME								DAYTIME							
	BOOST	MODE1	MODE2	MODE3	FLASH1	STEADY FLASH	DAY FLASH	SOS	BOOST	MODE1	MODE2	MODE3	FLASH1	STEADY FLASH	DAY FLASH	SOS
WIDE ANGEL	2600	2100	1000	550	100	400	400	80	OFF	OFF	OFF	OFF	OFF	OFF	OFF	80
NARROW	2:00	2:30	4:45	9:45	190:00	88:00	200:00	140:00	900:00	900:00	900:00	900:00	900:00	900:00	900:00	140:00
VLS	-	2:100-40	2:100-40	2:100-40	2:100-40	2:100-40	2:100-40	-	900:00	900:00	900:00	900:00	900:00	900:00	900:00	140:00
DEFAULT / NORMAL	2600	1650	850	100	100	400	400	80	OFF	OFF	OFF	OFF	OFF	OFF	OFF	80
WIDE ANGEL	2:00	2:45	5:30	42:00	188:00	100:00	215:00	130:00	900:00	900:00	900:00	900:00	900:00	900:00	900:00	140:00
NARROW	-	1:650-30	1:650-30	1:650-30	1:650-30	1:650-30	1:650-30	-	900:00	900:00	900:00	900:00	900:00	900:00	900:00	140:00
INTELLIGENT MODE	2:45-125:00	2:45-125:00	2:45-125:00	2:45-125:00	2:45-125:00	2:45-125:00	2:45-125:00	-	900:00	900:00	900:00	900:00	900:00	900:00	900:00	140:00
WIDE ANGEL	2600	950	450	100	100	400	400	80	OFF	OFF	OFF	OFF	OFF	OFF	OFF	80
NARROW	2:00	5:00	10:45	50:00	205:00	100:00	190:00	135:00	900:00	900:00	900:00	900:00	900:00	900:00	900:00	140:00
VLS	-	5:00-190:00	5:00-190:00	5:00-190:00	5:00-190:00	5:00-190:00	5:00-190:00	-	900:00	900:00	900:00	900:00	900:00	900:00	900:00	140:00

HAND STRAP INSTALL



HANDLEBAR MOUNTING



OVERHEAT PROTECTION

The overheat protection device can ensure the bicycle light in a good running temperature condition, so that to protect the LEDs without burning case. If the light is in high temperature during operation, it will dim the light output.

CHARGING

- Power off.
 - Plug USB cable to USB port.
 - Unplug after fully charged.
- * Do not charge over 5V.
* Keep away from flammable objects while charging.

WARNING

Understand country lighting laws and regulations before use.
Do not shine light directly into eyes.
Do not mount near wireless computer.
Do not blind the oncoming vehicles. Always adjust the angle downward.
Do not submerge the light into water.
Keep light in cool and dry place when storing.
Fully recharge the light at least every 3 months during storage.

WARRANTY

MOON lights are covered by a ONE YEAR LIMITED WARRANTY while MOON batteries are covered by 120 days warranty from the date of purchase. This warranty covers the defects in material and workmanship only with proof of purchase. Please contact original dealer for warranty service. For lights bought on MOON website, please contact cs@moon-sport.com for help.

ONLINE WARRANTY REGISTRATION
Visit www.moon-sport.com for online warranty registration.