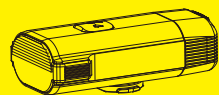




The light is locked for shipment, refer to OPERATION instruction to unlock. Read this manual carefully before using and keep for future reference. Visit [www.moon-sport.com](http://www.moon-sport.com) for manual updates.

## CONTENTS



RIGEL MAX



RB-41 (HELMET MOUNT)



RB-42 (MOON LIGHT ADAPTER FOR GOPRO MOUNT)



RB-43 (HANDLEBAR BRACKET)



USB-C (USB CABLE)

Optional accessories:  
USB-C-RM2020 (REMOTE CONTROL)



# RIGEL MAX MANUAL

## OPERATION



ON / OFF : Press 1s

MODE SELECT : Click

STEADY / FLASH : Double Click

INTELLIGENT : 1. Power off

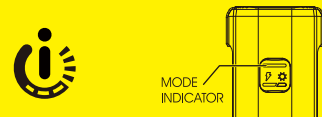
2. Press 3s: NORMAL BLUE FLASH 1 TIME  
INTELLIGENT GREEN FLASH 1 TIME

LOCK/UNLOCK : 1. Power off

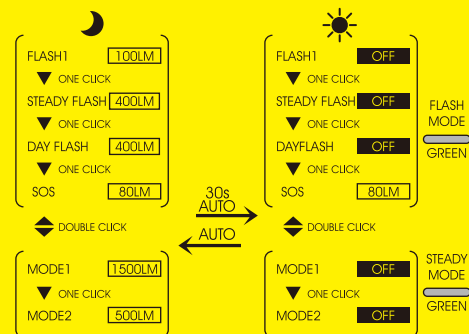
2. Press 6s: Locked BLUE FLASH 2 TIMES  
Unlocked BLUE FLASH 2 TIMES

\* Lock system: Lock the light to prevent accidentally turned on.  
\* Mode memory: The light resumes previous mode upon next usage.

## INTELLIGENT OPERATION



**INTELLIGENT BRIGHTNESS FUNCTION**  
Automatically turns to Stand By Mode (OFF) during daytime, and turns to selected mode at night or in dark area.



## INTELLIGENT MOTION SENSING FUNCTION

**Parking**  
Automatically turns to standby mode when no action is detected.

GREEN STAND BY (20S) GREEN STAND BY (60S) PARKING (1 hr)

●● [10LM] ●● [OFF] ●● [TOTAL OFF]

\*At day time, the indicator will change to steady in the stand by mode, (the lumen will not go down to 10lm)

\* Max standby time: 1000hrs

## VARIABLE LUMEN SYSTEM



- Select desired mode.
- Press and hold to set lumen.
- Release when reaching desired lumen.

\* Light flashes twice when reaching the MAX or MIN lumen level.

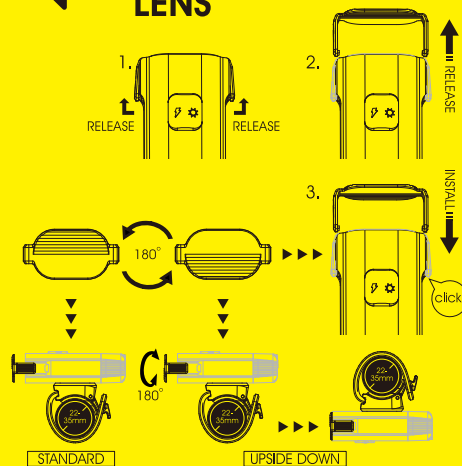
\* Restore default mode: 1. Power off  
2. Press 10s: BLUE FLASH 3 TIMES

## RUNTIME

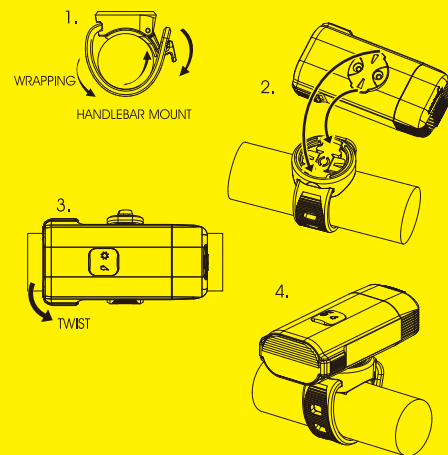
ANSI FL1	MODE1	MODE2	FLASH1	STEADY FLASH	DAY FLASH	SOS	DEFAULT / NORMAL
LUMEN	1500	500	100	400	400	80	
H:MIN	1:30	4:30	110:00	52:30	146:00	85:30	
VLS LUMEN	1500-20	1500-20	1500-20	1500-20	1500-20	-	DEPENDS ON MODE LUMENS
H:MIN	1:30-100:00	1:30-100:00	10:00-500:00	13:00-130:00	30:00-680:00	-	

ANSI FL1	MODE1	MODE2	FLASH1	STEADY FLASH	DAY FLASH	SOS
LUMEN	OFF	OFF	OFF	OFF	OFF	80
H:MIN	1000:00	1000:00	1000:00	1000:00	1000:00	85:30

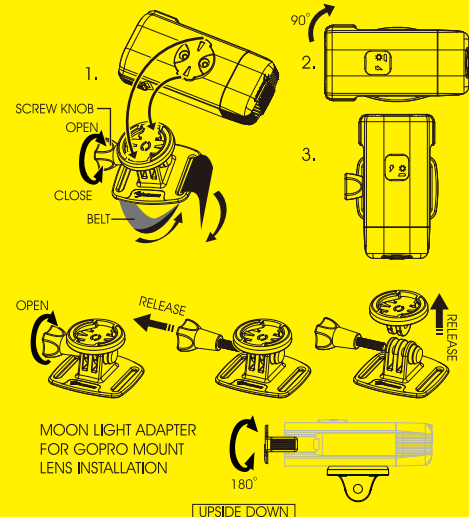
## ROTATABLE ANTI-DAZZLING LENS



## HANDLEBAR MOUNTING



## HELMET MOUNT



## OVERHEAT PROTECTION

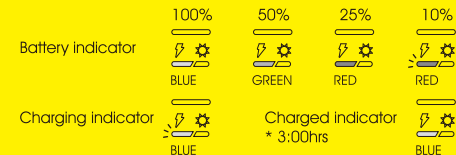
The overheat protection device can ensure the bicycle light in a good running temperature condition, so that to protect the LEDs without burning case. If the light is in high temperature during operation, it will dim the light output.

## CHARGING

- Power off.
- Plug USB cable to USB port.
- Unplug after fully charged.

\* Do not charge over 5V.  
\* Keep away from flammable objects while charging.

## BATTERY CAPACITY AND CHARGING INDICATOR



## WARNING

Understand country lighting laws and regulations before use.  
Do not shine light directly into eyes.  
Do not mount near wireless computer.  
Do not blind the oncoming vehicles. Always adjust the angle downward.  
Do not submerge the light into water.  
Keep light in cool and dry place when storing.  
Fully recharge the light at least every 3 months during storage.

## WARRANTY

MOON lights are covered by a ONE YEAR LIMITED WARRANTY while MOON batteries are covered by 120 days warranty from the date of purchase. This warranty covers the defects in material and workmanship only with proof of purchase. Please contact original dealer for warranty service. For lights bought on MOON website, please contact [cs@moon-sport.com](mailto:cs@moon-sport.com) for help.

ONLINE WARRANTY REGISTRATION

Visit [www.moon-sport.com](http://www.moon-sport.com) for online warranty registration.