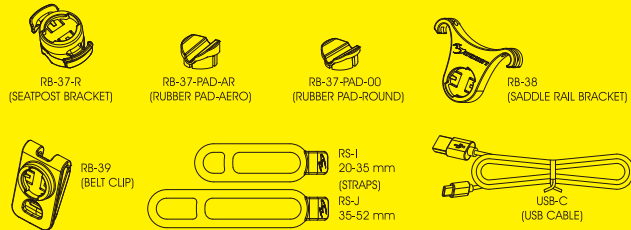
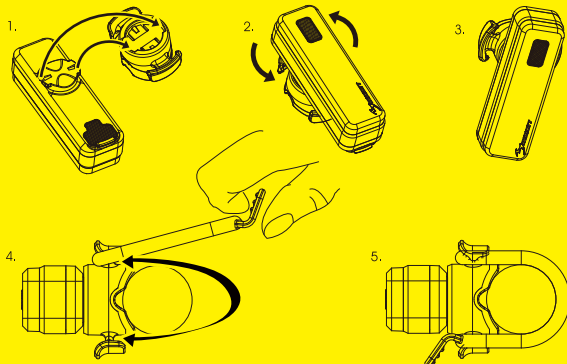
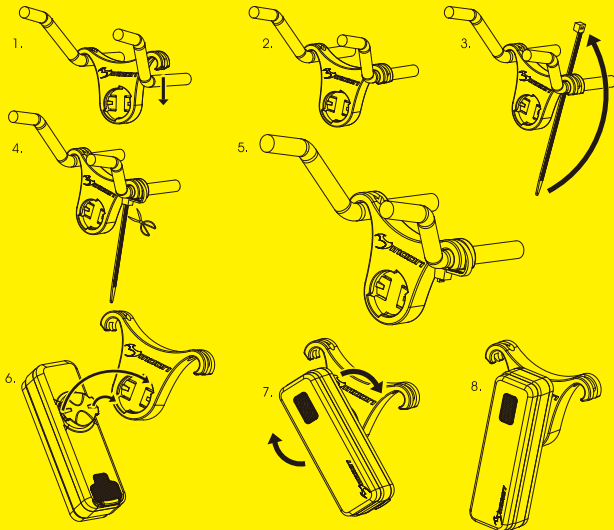
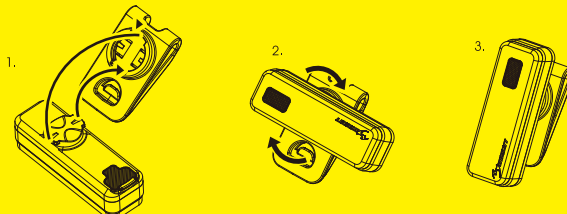


HELIX SENSE 300

MANUAL



The light is locked for shipment, refer to OPERATION instruction to unlock. Read this manual carefully before using and keep for future reference. Visit www.moon-sport.com for manual updates.

CONTENTS

MOUNTING
SEATPOST MOUNTING

SADDLE RAIL MOUNTING

BELT CHIP MOUNTING

WARNING

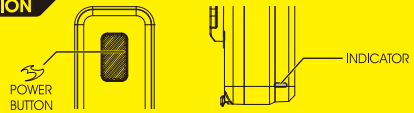
Understand country lighting laws and regulations before use.
Do not shine light directly into eyes.
Do not mount near wireless computer.
Do not blind the oncoming vehicles. Always adjust the angle downward.
Do not submerge the light into water.
Keep light in cool and dry place when storing.

WARRANTY

MOON lights are covered by a ONE YEAR LIMITED WARRANTY while MOON batteries are covered by 120 days warranty from the date of purchase. This warranty covers the defects in material and workmanship only with proof of purchase. Please contact original dealer for warranty service. For lights bought on MOON website, please contact cs@moon-sport.com for help.

ONLINE WARRANTY REGISTRATION

Visit www.moon-sport.com for online warranty registration.

OPERATION


- ON / OFF : Press 1s
- MODE SELECT : Click 1s
- STEADY / FLASH : Double Click
- SENSE MODE : 1. Power off 3s



- LOCK / UNLOCK : 1. Power off 3s
- 2. Press 6s: Locked / Unlocked

* Lock and prevent the light turned on accidentally.

VARIABLE LUMEN SYSTEM

1. Select the desired mode.
2. Press and hold to set lumen.
3. Release when the desired lumen is reached.

* Light flashes twice when either the MAX or MIN lumen level is reached.

- * **RESTORE DEFAULT MODE:** 1. Power off 3s
- 2. Press 10s: BLUE FLASH 3 TIMES


MODE MEMORY

*The light resumes the previous mode upon next usage.

AUTO SAFE MODE


When the battery gets low, the light automatically enters the safe mode that reduces the light output and extend **1.5 hours runtime**.

* When the light is in the safe mode, all other functions will be temporarily deactivated.

CHARGING

1. Power off / 2. Plug USB-C cable into USB-C port / 3. Unplug after fully charged

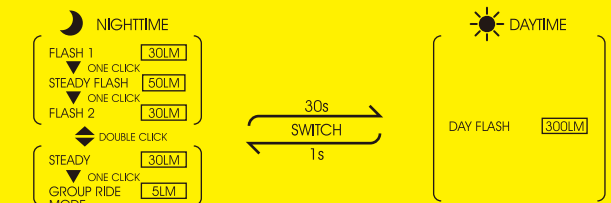
* Do not charge over 5V. / * Keep away from flammable objects while charging.

INDICATOR

- BLUE Low battery (Slow Flash)
- BLUE Auto safe (Quick Flash)
- BLUE Charging (Slow Flash)
- BLUE Fully Charged * 2:30hrs

SENSE OPERATION
BRIGHTNESS SENSING

The built-in light sensor automatically switches between the NIGHT or DAY time mode.


MOTION SENSING

Braking Automatically turns brighter or steady lumen when braking.

Parking When no motion is detected.


RUNTIME

ANSI FL1	SENSE MODE					DAYTIME		
	DEFAULT		NIGHTTIME		BRAKE SIGNAL	LUMEN	H-MIN	BRAKE SIGNAL
	LUMEN	H-MIN	VLS LUMEN	H-MIN				
FLASH 1	30	42:00	150 +10	11:00 66:00	✓	300 DAYFLASH	9:00	✓
STEADY FLASH	5+50	11:00	150 +10	5:00 20:00	✓			
FLASH 2	30	19:00	150 +10	4:30 46:00	✓			
STEADY	30	4:00	60 +5	2:00 27:00	✓			
GROUP RIDE MODE	5	27:00	60 +5	2:00 27:00	✓			

* The stated runtime of each mode includes the BRAKE SIGNAL is enabled 60 times/hour.
* It depends on how many time the BRAKE SIGNAL is used, the actual runtime may vary.

ANSI FL1	STANDARD MODE			
	DEFAULT LUMEN	H-MIN	VLS LUMEN	H-MIN
DAY FLASH	300	13:00	***	***
STEADY FLASH	5+50	14:00	150 +10	6:30 23:00
FLASH	30	22:00	150 +10	5:30 70:00
STEADY	60	2:15	60 +5	2:15 29:00
GROUP RIDE MODE	5	29:00	60 +5	2:15 29:00