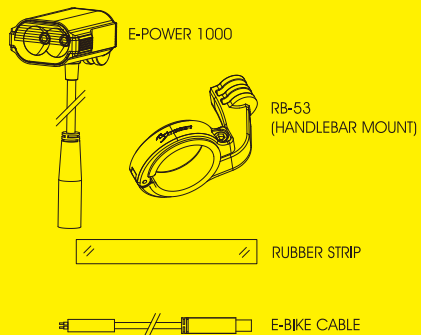


# E-POWER 1000 MANUAL

R01

Read this manual carefully before using.  
Visit [www.moon-sport.com](http://www.moon-sport.com) for manual updates.

## CONTENTS



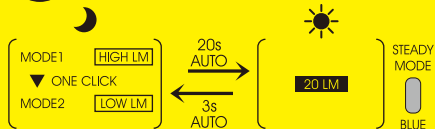
**Optional accessories:**  
BS-S4 (EXTERNAL BATTERY PACK)  
BS-S6 (EXTERNAL BATTERY PACK)  
EXC (Extension Cable)

R02

## INTELLIGENT OPERATION



Intelligent Brightness Function is set automatically to Standby Mode during daytime, and turned to selected mode at night or in dark area.



\*The intelligent mode cannot be turned off.

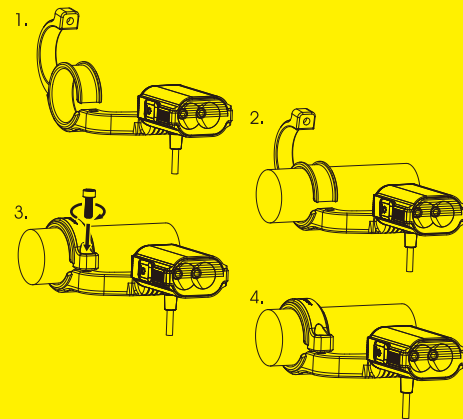
## MODE

POWER CONSUMPTION (W)	NIGHTIME		DAYTIME
	HIGH LUMEN	LOW LUMEN	LUMEN
3W	300	90	20
5W	500	150	20
6W	600	180	20
8W	800	240	20
9W	1000	300	20

R03

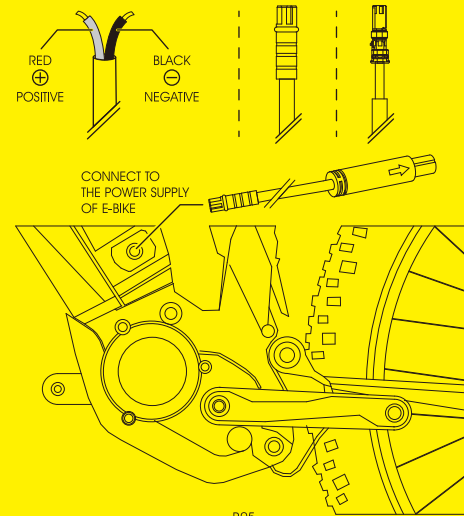
## INSTALLATION

### HANDLEBAR MOUNTING



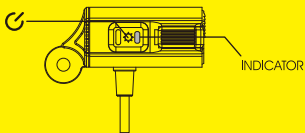
R04

### CABLE CONNECTION



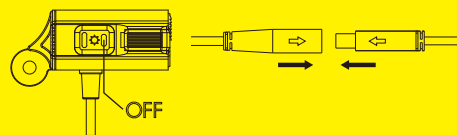
R05

### CONNECTION



#### STEP 1 SIGNAL RECOGNITION

It will automatically check & recognize the source of power after plugged in the cable.



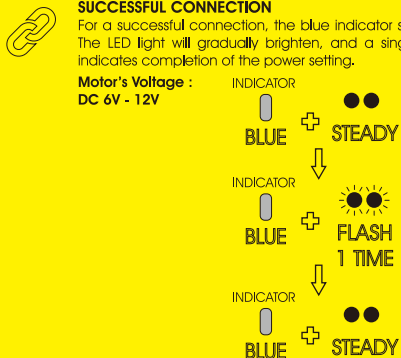
R06

#### STEP 2

##### SUCCESSFUL CONNECTION

For a successful connection, the blue indicator stays on. The LED light will gradually brighten, and a single flash indicates completion of the power setting.

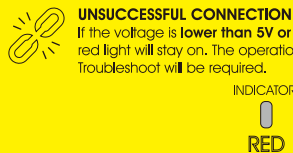
**Motor's Voltage :**  
DC 6V - 12V



R07

##### UNSUCCESSFUL CONNECTION

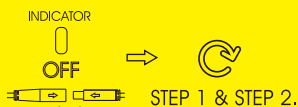
If the voltage is lower than 5V or higher than 14V, the red light will stay on. The operation will be non-responsive. Troubleshoot will be required.



### RE-CONNECTION IS REQUIRED

Redo STEP 1 & STEP 2.

- When the power source switched.
- When the over-current protection occurred.
- When the voltage is lower than 5V or higher than 14V



R08

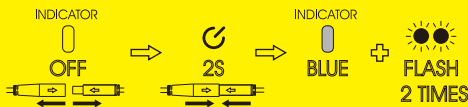
#### STEP 3

##### MANUAL OPERATION

- ON : Press
- OFF : Press & HOLD 1s
- MODE SELECT : Click

### RESTORE FACTORY'S SETTING

To reset, press & hold the power button and then plug in the power. Wait for 2 seconds until flashes twice as a prompt, restoring the factory setting.



R09

## OVERHEAT PROTECTION

The overheat protection system ensures the bicycle light in a good running temperature condition, so that to protect the LEDs without burning case. If the light is in high temperature during operation, it will dim the light output.

## WARNING

**CAUTION HOT SURFACE.** This light generate heat while using, so we recommend wear cycling gloves when touch it.

Understand country lighting laws and regulations before use. Do not shine light directly into eyes. Do not mount near wireless computer. Do not blind the oncoming vehicles. Always adjust the angle downward. Do not submerge the light into water. Keep light in cool and dry place when storing. If your light does not function properly or work at all, please replace the light immediately.

## WARRANTY

MOON lights are covered by a 2 YEAR LIMITED WARRANTY. This warranty covers the defects in material and workmanship only with proof of purchase. Please contact original dealer for warranty service. For lights bought on MOON website, please contact [cs@moon-sport.com](mailto:cs@moon-sport.com) for help.

ONLINE WARRANTY REGISTRATION  
Visit [www.moon-sport.com](http://www.moon-sport.com) for online warranty registration.

R10